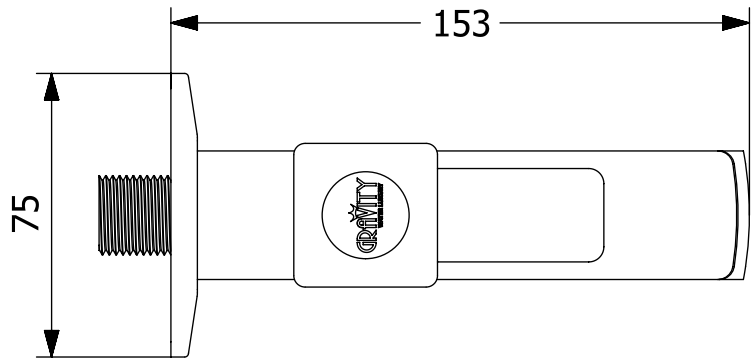
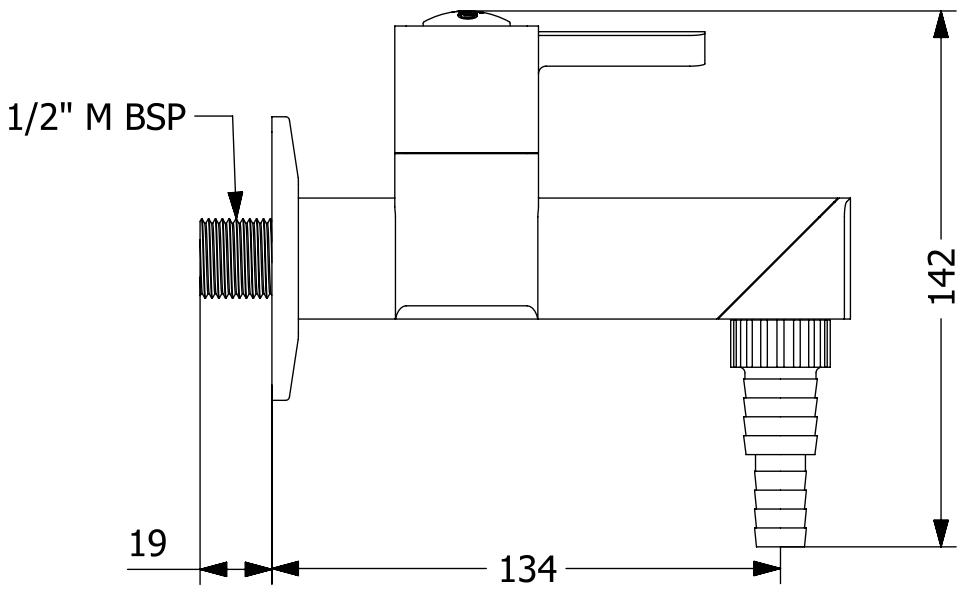


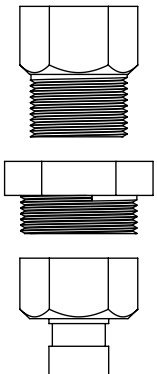
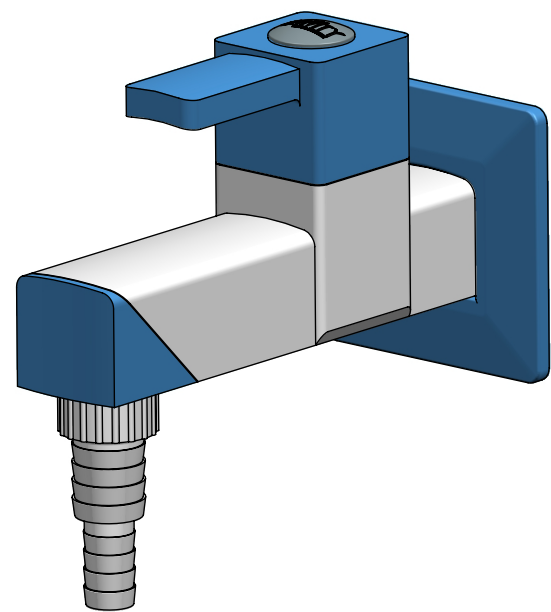
# Washing Machine Tap with Flange



TOP VIEW



FRONT VIEW



ISOMETRIC VIEW

ALL DIMENSIONS ARE IN MM