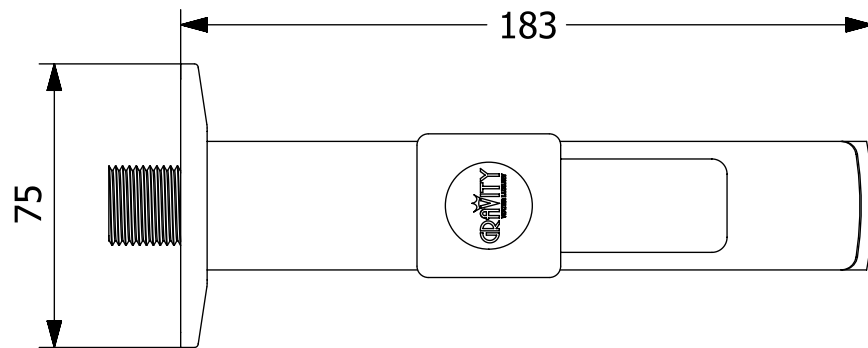
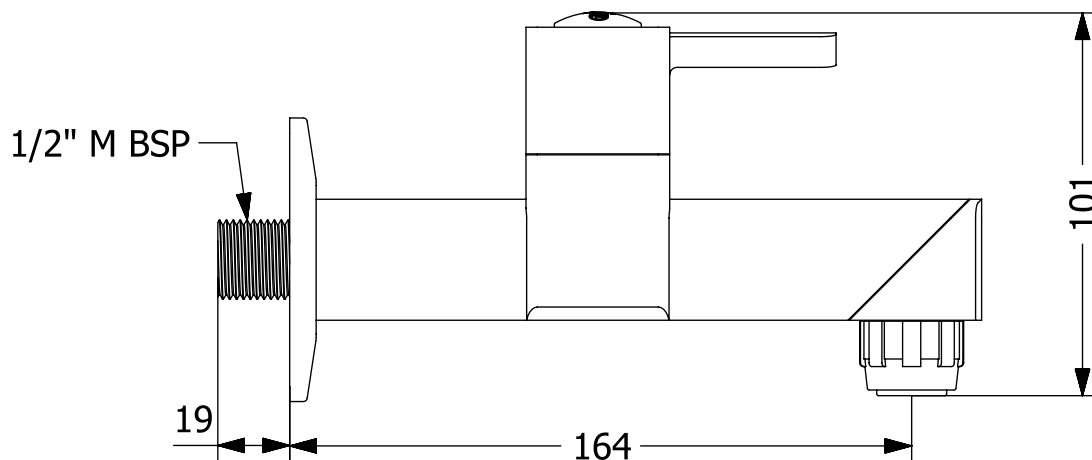


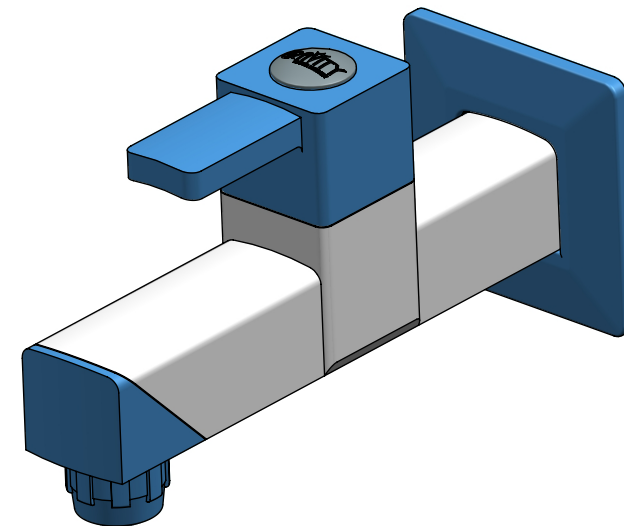
Long body with Flange



TOP VIEW



FRONT VIEW



ISOMETRIC VIEW

ALL DIMENSIONS ARE IN MM