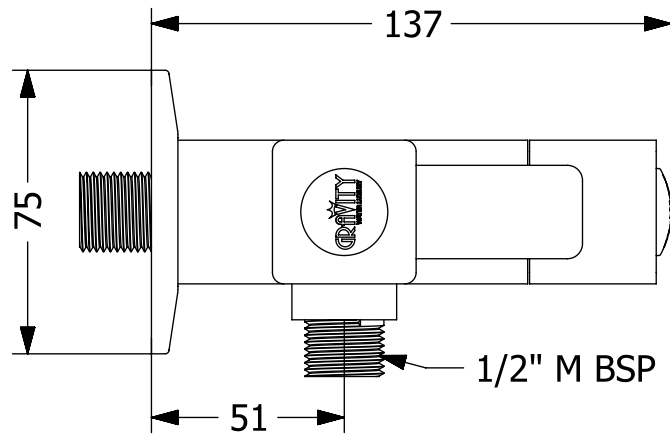
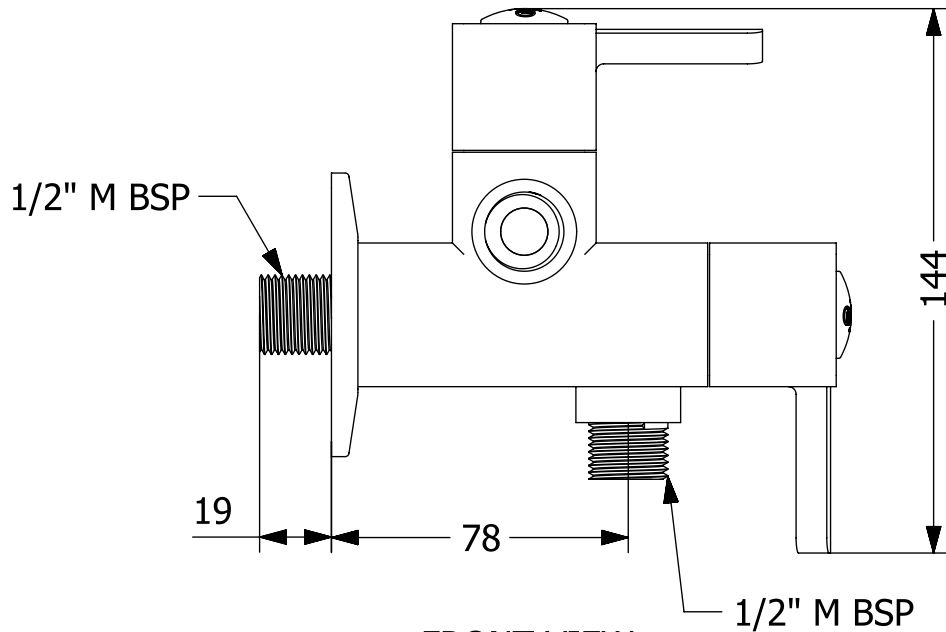


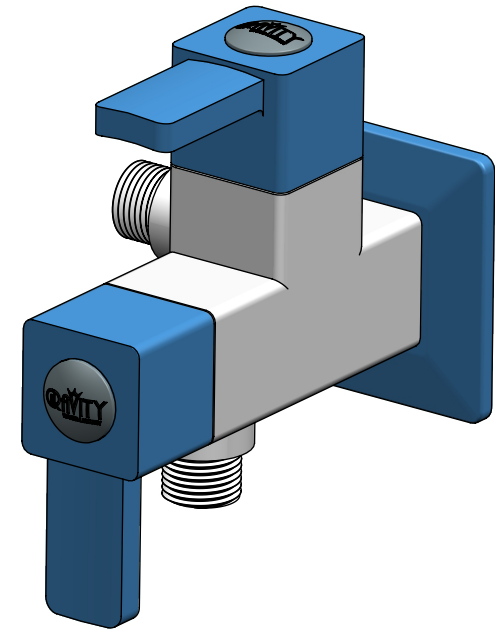
# Angle Cock 2 in 1 with Flange



TOP VIEW



FRONT VIEW



ISOMETRIC VIEW

ALL DIMENSIONS ARE IN MM